



Warrior

Kids Ride on Car

Assembly and Operation Instructions



Please read this instruction manual carefully. It is important to read and follow all the steps during assembly to ensure proper operation and safety of the child. Please keep this manual for future reference.




**Scan this QR Code to view
the Assembly Video**

SPECIFICATIONS:

Battery Type:	2 - 12V10AH	Avg. Speed:	Approx. : 2 – 3 MPH
Age Range:	3 – 8 Years	Charging time:	8-12 hrs – Minimum 1 Charge per month
Max. Weight:	130 lbs	Avg. Use Time:	60-90 Minutes (depending on use)

IMPORTANT!

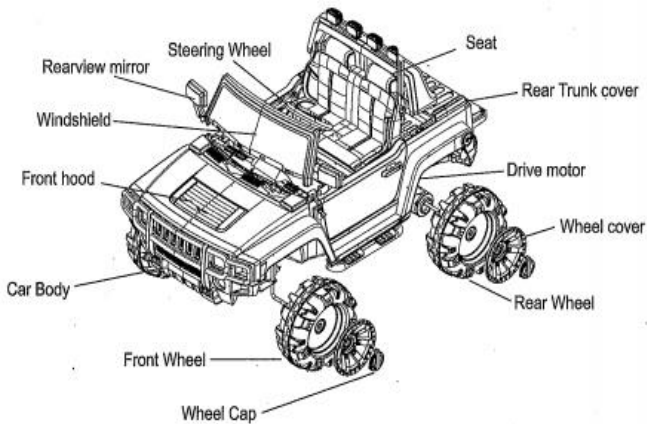
<ul style="list-style-type: none"> Assembly of car and charging of battery is only to be done by an adult.  	<ul style="list-style-type: none"> WARNING!! NOT TO BE USED ON STREETS OR IN TRAFFIC.
<ul style="list-style-type: none"> Never modify or tamper with any part of the electric circuit system. This can cause permanent damage. 	<ul style="list-style-type: none"> Please check the vehicle regularly for any loose parts or wires to ensure safety and proper operation.
<ul style="list-style-type: none"> Adult supervision is recommended during operation to avoid injury. Safety equipment is recommended. 	<ul style="list-style-type: none"> Please make sure that the child uses caution to avoid falls and collisions, which could cause injury to the child or third party.
<ul style="list-style-type: none"> Do not pick up vehicle by steering wheel. 	<ul style="list-style-type: none"> Do not pick up battery by wires or charger.
<ul style="list-style-type: none"> Keep all plastic bags out of the reach of young children. 	<ul style="list-style-type: none"> Not recommended for children under the age of 2 yrs. due to small parts that could cause a choking hazard.
<ul style="list-style-type: none"> Battery must be charged for a minimum of 8-12 hours prior to first use of the car to avoid damage to the battery. Power switch must be in off position when charging. 	<ul style="list-style-type: none"> Battery charger should be examined for damage prior to each use. It is important to inspect the cord and both ends for damage. If damage is found, DO NOT USE THE CHARGER! Contact us for a replacement charger.
<ul style="list-style-type: none"> Please keep instruction manual for future reference. 	<ul style="list-style-type: none"> Please keep original packaging.

If the charger is plugged into the charging port the car will not power on, regardless if the charger is plugged into the wall outlet or not.

PARTS LIST

#	Name	#	Name
1	Car Body	6	Windshield
2	Front Wheel	7	Steering Wheel
3	Rear Wheel	8	Rearview Mirror
4	Seat	9	Rear Trunk Cover
5	Wheel Cap	10	Drive Motor
		11	Front Hood

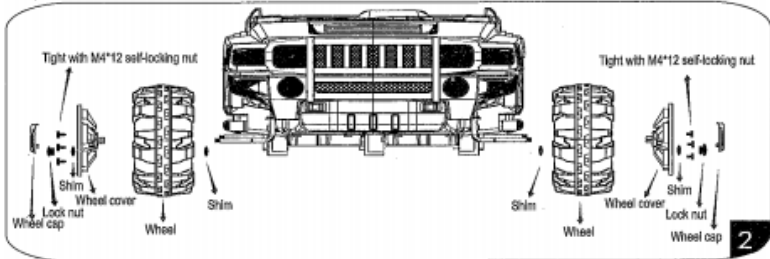
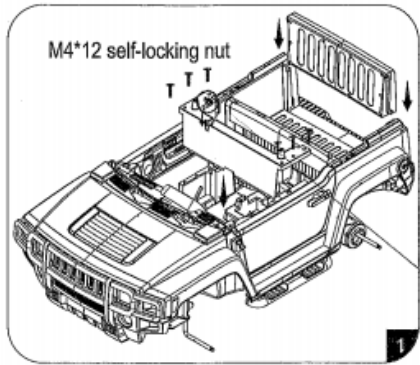
Parts Names



ASSEMBLY INSTRUCTIONS:

1: Install lower seat valance and tailgate:

- A. Put the valance of the seat into the car body. Tighten with 6 pcs of M4*12 screws.
- B. Find the charging port ,and install into the slot located on the valance
- C. Slide the tailgate into position

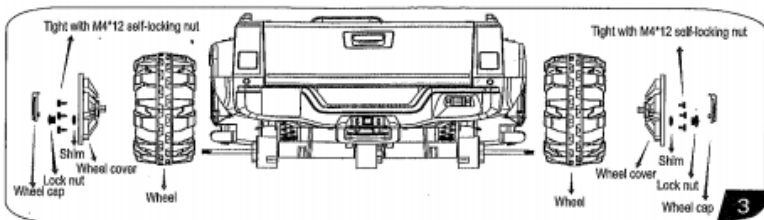


2: Installation of Front Wheels:

- A. Put one washer on and then put on the tire
- B. Position the wheel cover on the wheel, then tighten with 3 pcs of M4*12 screws. Then put one washer on the axle and tighten down a M10 self locking nut.
- C. Snap on the center wheel cap

3: Installation of Rear Motors

- A. Slide R motor onto right rear axle and plug into control box
- B. Slide L motor onto left rear axle and plug into control box

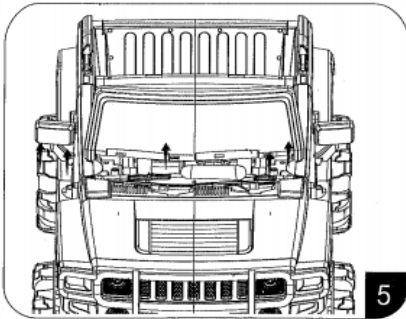
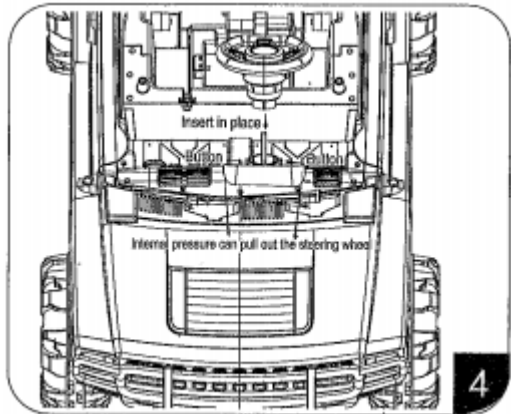


4: Installation of Rear Wheels:

Slide the rear wheels onto the rear axle followed by the wheel covers. Tighten the covers down with 3 pcs of M4*12 screws. Add one washer and then tighten down the M*10 self locking nut.

5: Installation of Steering Wheel:

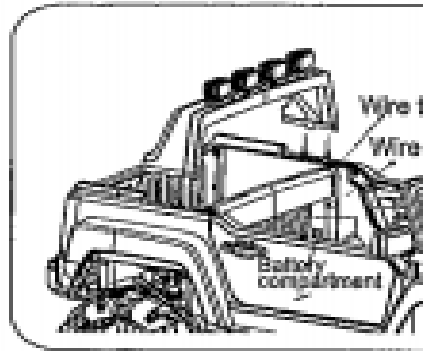
Plug in the steering wheel wires to the dashboard wires. Then position the steering into the dash and snap into place.



6. Installation of Windshield and Side

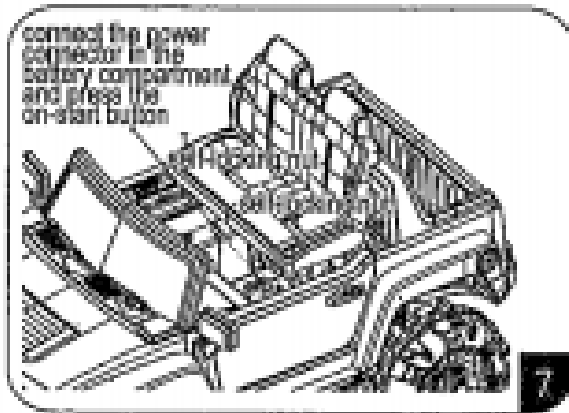
Mirrors:

Insert the windshield into the slots until it snaps into place



6. Install Rear Side Rails the Rear Light Frame

- A. Snap rear side rails into place
- B. Put the light bar into the body
- C. Put the wires from the light bar into the battery compartment

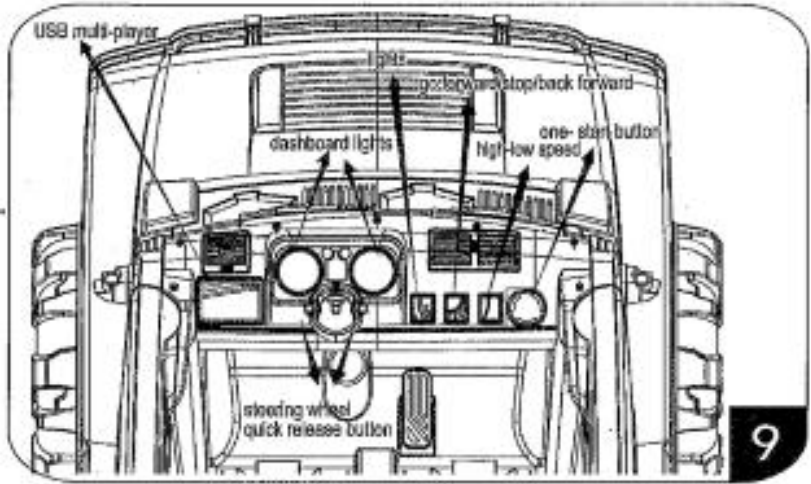


7. Battery Connection and Install Seat

- A. Connect the wires to the battery
- B. Put the back part of the seat into the body of the car and set the seat over the battery compartment. Tighten the seat down with 2 - M4*12 screws (image 7)

8. Charging Port Location

- A. When the power on the radio shows around 10:00 this means the battery level is getting low. You'll need to charge the vehicle. The charging port is located below the seat.
- B. When the power cord is plugged in the vehicle will not start!
- C. Even if you unplug the charger from the wall but still have the cord plugged into the car it will not start. Make sure you remove the charger completely. DO NOT OVER Charge the vehicle. Overcharging may cause damage and shorten the life of the battery.



9. Dashboard Instructions

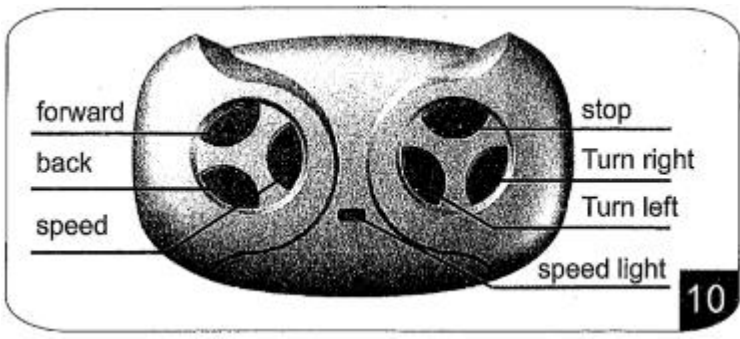
A. Power Switch - (1) Turn on power; there will be a “start up” sound like a car is starting and lights will come on. (2) The radio will display a “time” which is the voltage reading of the battery. There is an auxiliary port in the radio for you to hook up you MP3 player.

B. Steering Wheel - There are buttons to control the horn and the music.

C. High or Low Speed Switch - (1) When the child is driving they can control the speed themselves. (2) The speed on the remote control is preferred.

D. One Switch for Lights - Lights can be turned on and off.

E. Power Display - Voltage is displayed on dashboard radio. 12.5 is sufficient. The car needs to be charged around 10V

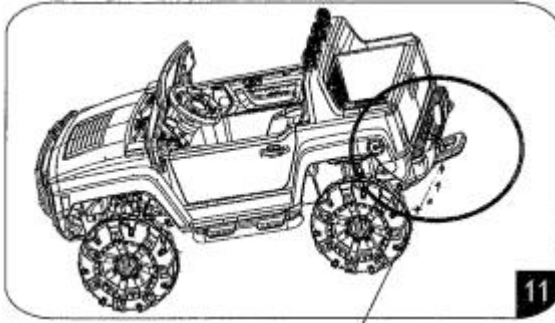


SYNCING THE REMOTE CONTROL:

Remote Control Instructions:

1. For the first time use of remote control press both the “forward” and “backward” buttons for about 3 seconds to connect the remote to the car. The LED light will flash quickly.
2. Then turn on the power switch, the LED light will be lighting up and the car will pair with the remote. The car should now be synced and ready for normal use.
3. Press the “S” button to adjust the speed. One light is for low speed, two lights for medium and three lights means high speed. Press the “P” button to stop the car and all the lights will light up.

Note: The remote should be used by an adult.



11. The car is equipped with a pull handle. When the car has low battery power there is a handle under the rear bumper of the truck that can be used to pull the vehicle.

CHARGING THE BATTERY:

The charging port is located under the seat of the vehicle. Plug the charger into the charging port first, and then plug the charger into a wall outlet.

Please Note: As a safety precaution and to avoid damage to the charger, the car will not power up while charger port is plugged into the car.

THE BATTERY MUST BE CHARGED FOR A MINIMUM OF 8-12 HOURS BEFORE INITIAL USE AND DURING EVERY CHARGING OCCURRENCE TO AVOID DAMAGE TO THE

BATTERY. ONLY AN ADULT SHOULD CHARGE AND RECHARGE THE BATTERY. DO NOT LEAVE THE CAR CHARGING FOR LONGER THAN 12 HOURS PER CHARGE.

BATTERY REPLACEMENT AND DISPOSAL:

Over time, all batteries naturally lose their ability to hold a charge. Depending on the amount of use and driving conditions, the battery should function for one to three years. To replace and/or dispose of the battery, follow these steps:

- Carefully disconnect the battery connectors.
- Remove the metal battery bracket.
- Carefully lift the battery out of the vehicle. **NOTE:** you may want to wear protective gloves before removal. **DO NOT** lift the battery by its connectors or cables.
- Place the used in a plastic bag.
- Reconnect the red wire to the red terminal and the black wire to the black terminal on the new battery.
- Replace the metal battery bracket.
- Close the hood and turn the locking button on the hood to the lock position.

WARNING:

- Use only the rechargeable battery and charger supplied with your vehicle. **NEVER** substitute the battery or charger with another brand. Using another battery or charger may cause damage.
- **NEVER** modify the electric circuit system. Tampering with the electric system may cause permanent damage to the system.
- **Do not** allow direct contact between battery terminals.

- **Do not** allow any type of liquid on the battery or its components.
- Charge the battery in a well-ventilated area **ONLY**. Do not charge near or around flammable materials.
- **NEVER** pick up the battery by the wires or charger. Damage can occur to the battery and may cause a fire. Pick up the battery by the case **ONLY**.
- Charge the battery in a dry area **ONLY**.

Wash hands after handling.

- **Do not** open the battery. Battery contains lead acid and other materials that are toxic and corrosive.
- **Do not** open the charger. Exposed wiring and circuitry inside case could cause electric shock. **NEVER** allow a child to handle or charge the battery. Battery is heavy and contains lead acid (electrolyte).
- **Do not** drop the battery. Permanent damage to the battery could occur or cause serious injury.
- Before charging the battery, check for wear or damage to the battery, charger, its supply cord and the connectors. **DO NOT** charge the battery if any damage to parts has occurred.
- **Do not** allow the battery to drain completely. Recharge the battery after each use or once per month if not used regularly.
- **Do not** charge the battery upside down.
- **Always** secure the battery with the bracket. Battery can fall out and injure a child if vehicle tips over.
- The **Power Switch** must be turned in the **OFF** position when charging.
- When the car begins to run slowly, recharge the battery.

GENERAL MAINTENANCE:

It is the parent's responsibility to check main parts of the toy before using. Regularly examine the car for potential hazard, such as damage to the battery, charger, cable or cord, and plug,. Also check that all screws are tightened throughout the car. In the event of such damage, the toy must not be used until that damage is repaired or replaced.

- Make sure the plastic parts of the vehicle are not cracked or broken.
- Occasionally use a lightweight oil to lubricate moving parts such as wheels.
- Park the vehicle indoors or cover it with a tarp to protect it from wet weather.
- Keep the vehicle away from sources of heat, such as stoves and heaters. Plastic parts may melt.
- Recharge the battery after each use. Only an adult should handle the battery. Recharge the battery at least once a month when not being used.
- Do not wash the vehicle with a hose. Do not wash the vehicle with soap and water. Do not drive the vehicle in rainy or snowy weather as water will damage the motor, electric system and battery.
- Clean the vehicle with a soft, dry cloth. To restore shine to plastic parts, use a non-wax furniture polish. Do not use car wax. Do not use abrasive cleaners.
- Do not drive the vehicle in loose dirt, sand or fine gravel which could damage moving parts, motors or the electric system.
- For extended times when the car will not be used, the power switch needs to be in the off position and the electrical connections should be disconnected from the battery.

TROUBLESHOOTING GUIDE:

Problem	Possible Cause	Possible Solutions
Car will not move	<ol style="list-style-type: none"> 1. Battery voltage is low. 2. Battery connector or wires are loose. 3. Battery is damaged or dead. 4. Electrical box or motor is damaged 	Charge the battery Re-connect the battery connector to the car Replace battery Replace motor
The battery will not charge.	<ol style="list-style-type: none"> 1. Battery connector may have come apart or have a bad connection. 2. Battery charger plugged into a bad wall outlet. 3. Battery charger is damaged. 	Re-connect the battery connector to the car electrical connector Try another wall outlet Replace battery charger
Shortened battery life	Battery was not charged fully Battery is old	Charge battery fully Change battery
Some Noise and heat when charging battery	Chemical reaction	Normal
Low Speed	Battery is old Battery is low on charge Weight limit exceeded Uneven or uphill path Vehicle is being used in harsh conditions	Change the battery Charge the battery Do not exceed max weight limit Use on flat surfaces Avoid using car in harsh conditions
Noise coming from motor/gearbox	Gear in motor/gearbox broken	Call for replacement motor
The car shakes when moving	Bad Connection of the motor wires Possible motor failure	Reconnect wires Call for replacement motor
Car needs a push to go forward	Poor contact of wires and/or connectors "Dead Spot" on motor	Check that the battery connectors are firmly plugged into each other. If wires are loose around the motor, contact the distributor's service department A dead spot means the electric power is not being delivered to the terminal connection. Call our service department

Self-Resetting Breaker – The vehicle is equipped with a self-resetting breaker. In the event the power is tripped the breaker will reset itself in approximately one minute.

If you are unable to solve a problem, please feel free to contact us.

Phone: 402-477-0541 or Email:

customerservice@rollinghillstrading.com