



Luxury - 2 Seater

Kids Ride on Car

Installation and Operation Instructions



Please read this instruction manual carefully. It is important to read and follow all the steps during assembly to ensure proper operation and safety of the child. Please keep this manual for future reference.




**Scan this QR Code
to view the
Assembly Video**

SPECIFICATIONS:

Battery Type:	12V10AH	Avg. Speed:	2 – 3 MPH
Age Range:	2 – 7 Years	Charging time:	8-12 hrs – Minimum 1 Charge per month
Max. Weight:	80 lbs	Avg. Use Time:	48-90 Minutes (depending on use)
Product Size:	51”L x 28”W x 24”H	Remote Battery:	2 - AA (not included)

IMPORTANT!

<ul style="list-style-type: none"> Assembly of car and charging of battery is only to be done by an adult.  	<ul style="list-style-type: none"> WARNING!! NOT TO BE USED ON STREETS or IN TRAFFIC.
<ul style="list-style-type: none"> Never modify the electric circuit system or tamper with electric system. This can cause permanent damage. 	<ul style="list-style-type: none"> Please check the product regularly for any loose parts or wires to ensure proper operation.
<ul style="list-style-type: none"> Adult supervision is recommended during operation by child to avoid injury. Safety equipment is recommended. 	<ul style="list-style-type: none"> Please make sure that the child uses caution to avoid falls and collisions, which could cause injury to the child or third party.
<ul style="list-style-type: none"> Do not pick up vehicle by steering wheel. 	<ul style="list-style-type: none"> Do not pick up battery by wires or charger.
<ul style="list-style-type: none"> Keep all plastic bags out of the reach of young children. 	<ul style="list-style-type: none"> Not recommended for children under the age of 2 yrs. due to small parts that could cause a choking hazard.
<ul style="list-style-type: none"> Battery must be charged for a minimum of 8-12 hours prior to first use of the car to avoid damage to the battery. Power switch must be in off position when charging. 	<ul style="list-style-type: none"> Battery charger should be examined for damage prior to each use. It is important to inspect the cord and both ends for damage. If damage is found, DO NOT USE THE CHARGER! Contact us for replacement charger.
<ul style="list-style-type: none"> Please retain instruction manual for future reference. 	<ul style="list-style-type: none"> Please retain packaging in the event it is necessary to return.

If the charger is plugged into the charging port, the car will not power up regardless if the charger is plugged into the wall outlet or not.

PARTS LIST:

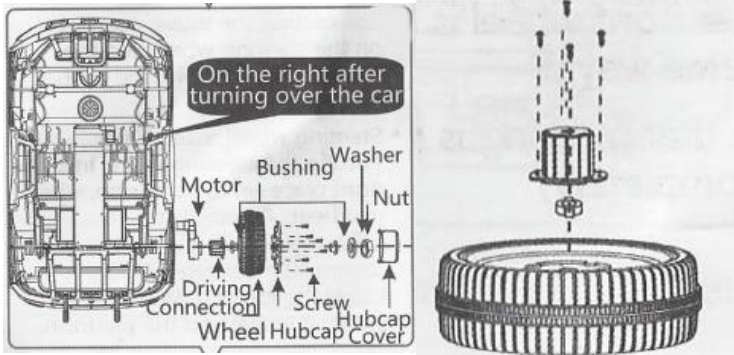
1	Car Body	2	Charger	3	Rearview Mirrors
4	Steering Wheel	5	Seats	6	Wheels
7	Wheel Caps	8	Instruction Manual	9	Remote Control
10	Motor/Gearbox	11	Accessory Package		

		
1 Main Body	2 Charger	3 Rearview Mirror
		
4 Steering Wheel	5 Seat	6 Wheel-4
		
7 Wheel Cup-4	8 Guide Book	9 Remote Control
		
10 Motor	11 Accessory Package	

[All assembly videos can be found on YouTube under SPORTrax](#)

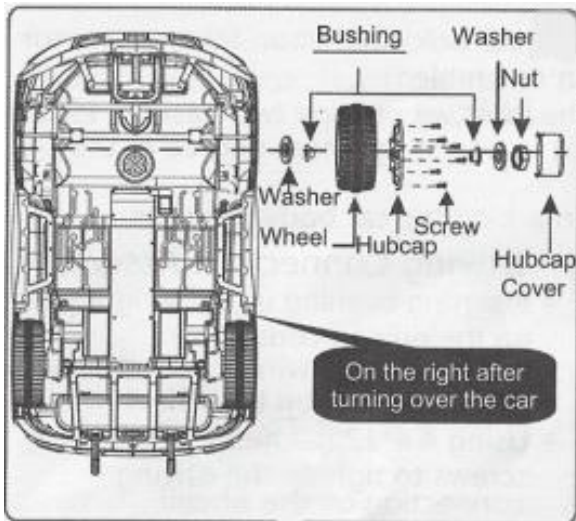
ASSEMBLY INSTRUCTIONS:

Rear Wheel Assembly:



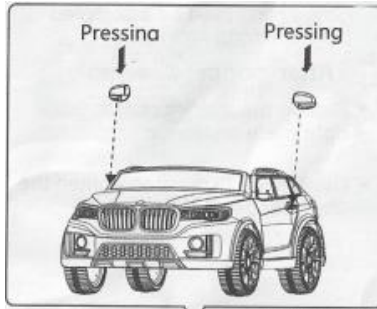
Unplug the wire connector from each gearbox in the battery area (one at a time). Remove gearbox from the battery area and install on the rear axle on the same side of the car. Make sure that the motor portion and wires slide into the hole in the body. Install wheel bushing into the center of the wheel on both sides. Install driving connection on back side of rear wheel. (this may have already been assembled) Install wheel on the axle making sure that the wheel bushings stay in place. Install washer and locking nut on the axle and tighten until snug. (Use caution when tightening, over tightening will cause the wheel to not turn freely) Install Wheel Hubcaps with screws provided and snap on center Hub cover. REPEAT STEPS FOR OPPOSITE SIDE!

Front Wheel Assembly:



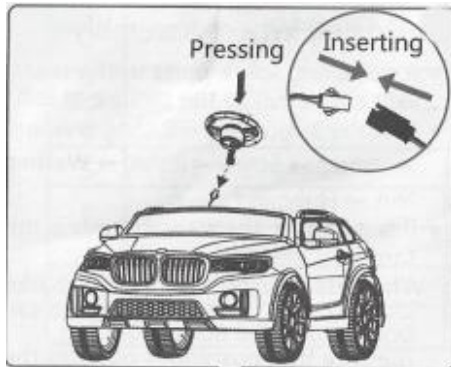
Install Washer on front axle. Install wheel bushing on each side of front wheel. Install wheel on front axle. Install another washer and nylon locking nut on the axle and tighten until snug. (Use caution when tightening, over tightening will cause the wheel to not turn freely) Install Wheel Hubcaps with screws provided and snap on center Hub cover. REPEAT STEPS FOR OPPOSITE SIDE!

Rear View Mirror Assembly:



Attach side rear view mirror brackets to the car near the front corner of the doors with 3 screws (supplied). Press the rear-view mirrors onto the mirror bracket and press down firmly until you hear the mirror “click” into place.

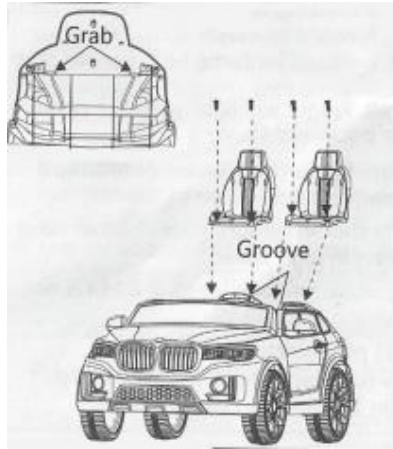
Steering Wheel Installation:



Connect electrical connection on the steering wheel to the corresponding electrical connection located in the steering column. Slide the wires and connection into the steering column. Align the steering wheel with holes in steering column and push down until you hear a “click” sound. The steering wheel is locked into place.

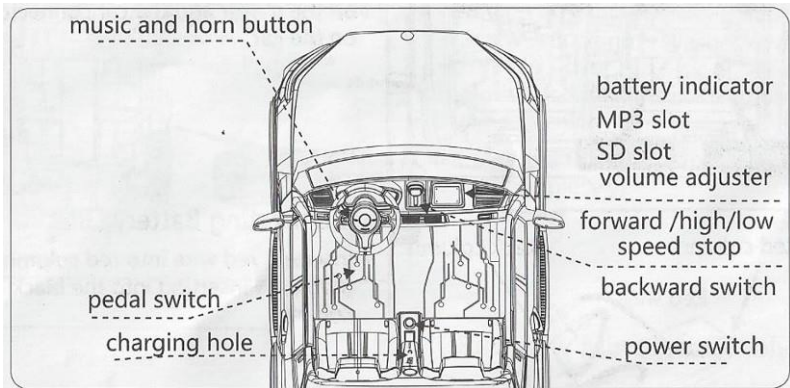
(NEVER USE THE STEERING WHEEL TO LIFT THE CAR! THIS WILL CAUSE DAMAGE)

Installation of Seats:



Locate tabs on the back of the seat. Install tabs into corresponding slots in the car body. With screws supplied, secure front of seat to body through the preformed screw slots at the front of the seat.

Operation of the car:



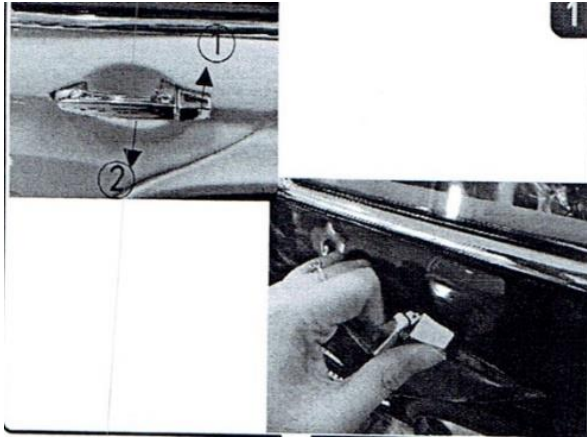
Power switch: Located in the center console of the car. Push the button to turn the car on and off

Shift lever: changes the direction of the car: there are 2 forward positions and one reverse position. **CAUTION:** When changing gears from forward to reverse, it is **VERY** important to make sure the car is completely stopped to avoid damage to motor/gearbox.

Pedal Switch: is located in the floor area below the left seat.

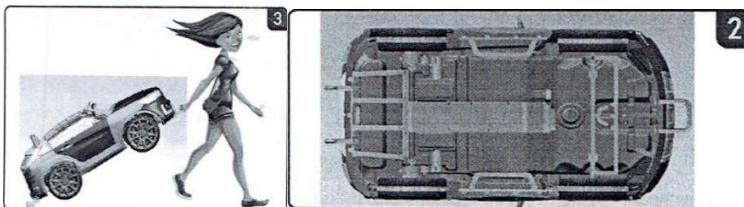
Charging Port: Located in the center console under the arm rest. Lift the arm rest to plug the charger into the charging port.

Door Handle & Stroller Function Instructions



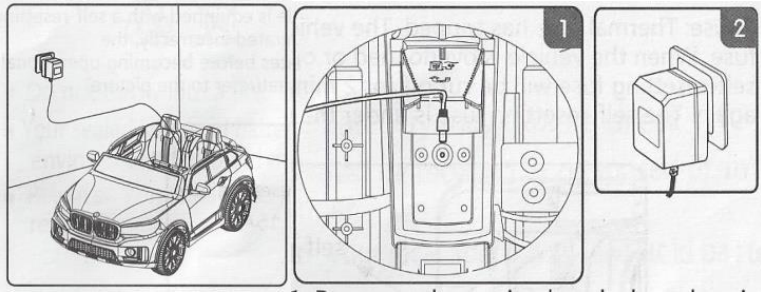
Instructions for Proper Operation of the Door Handle:

- Place thumb on the button next to the door handle (part 1 in picture to the left)
- Pull handle with index finger (part 2 in picture to the left) until door is unlatched.
- Once the latch is released the door will open easily.



Instructions for Use of Stroller Function:

- Fold out the small wheels located under the rear of the car. (as shown in picture 2)
- Fold out the handle located under the front of the car. (as shown in picture 2)
- Lift front of car by the handle in the front until the small wheels touch the ground. (as shown in picture 3)
- At this point, you can tow the car freely.



Charging the battery: The charging port is located on the right side of the dashboard under the power button. Plug the charger into the charging port first, then plug the charger into wall outlet. **BATTERY MUST BE CHARGED FOR A MINIMUM OF 8-12 HOURS BEFORE INITIAL USE TO AVOID DAMAGE TO THE BATTERY. ONLY AN ADULT SHOULD CHARGE AND RECHARGE THE BATTERY!**

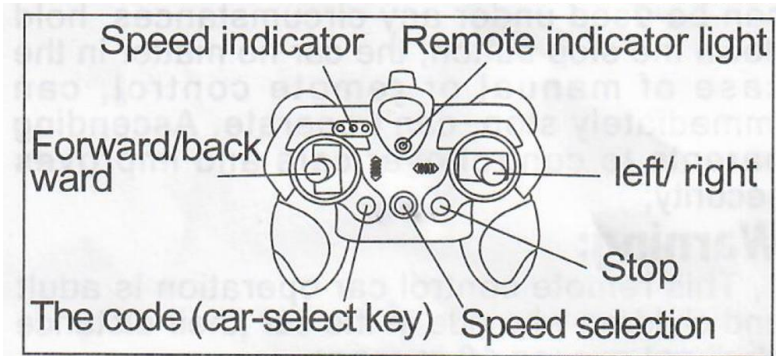
Please Note: As a safety precaution and to avoid damage to the charger, the car will not power up while charger port is plugged into the car.

BATTERY REPLACEMENT AND DISPOSAL:

The battery will eventually lose the ability to hold a charge. Depending on the amount of use, and varying conditions, the battery should operate for one to three years. Follow these steps to replace and/or dispose of the battery:

- Remove the cars seats
- Disconnect the battery connectors
- Remove the metal battery bracket
- Remove the battery cover
- Carefully lift the battery - you may want to wear protective gloves before removal - **Do Not** lift the battery by its connectors or cables
- Place the dead battery in a plastic bag
- Replace the battery and reconnect the connectors
- Replace the metal battery bracket
- Replace the seat

Replacement Fuse for Battery: If the fuse is broken or burned out, there is a spare fuse in the fuse box located under the seat or behind the body of the car. Replace it and restart the car.



Remote Control Instructions: For the first time use of remote control or after replacing the battery, you need to sync the remote to the car.

- 1) Press the car-select button down until the remote indicator light is flashing, turn on car, and when the light stops flashing pairing has been successful.
- 2) Repeat if this does not happen.
- 3) Once paired for the first time, no need to pair remote for later use unless batteries are changed in the remote.
- 4) To use speed selection button, you press button until speed indicator light is set at desired speed. 1st light low speed, 2nd light medium speed, 3rd light high speed.
- 5) Emergency brake. Press & hold stop button down to stop motion of the car immediately. Release the button to restore the normal functions of the car.

WARNING:

- Use only the rechargeable battery and charger supplied with your vehicle. **NEVER** substitute the battery or charger with another brand. Using another battery or charger may cause damage.
- **NEVER** modify the electric circuit system. Tampering with the electric system may cause permanent damage to the system.
- **Do not** allow direct contact between battery terminals.
- **Do not** allow any type of liquid on the battery or its components.
- Charge the battery in a well-ventilated area **ONLY**. Do not charge near or around flammable materials.
- **NEVER** pick up the battery by the wires or charger. Damage can occur to the battery and may cause a fire. Pick up the battery by the case **ONLY**.
- Charge the battery in a dry area **ONLY**.

Wash hands after handling.

- **Do not** open the battery. Battery contains lead acid and other materials that are toxic and corrosive.
- **Do not** open the charger. Exposed wiring and circuitry inside case could cause electric shock. **NEVER** allow a child to handle or charge the battery. Battery is heavy and contains lead acid (electrolyte).
- **Do not** drop the battery. Permanent damage to the battery could occur or cause serious injury.
- Before charging the battery, check for wear or damage to the battery, charger, its supply cord and the connectors. **DO NOT** charge the battery if any damage to parts has occurred.
- **Do not** allow the battery to drain completely. Recharge the battery after each use or once per month if not used regularly.
- **Do not** charge the battery upside down.
- **Always** secure the battery with the bracket. Battery can fall out and injure a child if vehicle tips over.
- The **Power Switch** must be turned in the **OFF** position when charging.
- When the car begins to run slowly, recharge the battery.

GENERAL MAINTENANCE:

It is the parent's responsibility to check main parts of the toy before using. Regularly examine the car for potential hazard, such as damage to the battery, charger, cable or cord, and plug. Also, check that all screws are tightened throughout the car. In the event of such damage, the toy must not be used until that damage is repaired or replaced.

- Make sure the plastic parts of the vehicle are not cracked or broken.
- Occasionally use a lightweight oil to lubricate moving parts such as wheels.
- Park the vehicle indoors or cover it with a tarp to protect it from wet weather.
- Keep the vehicle away from sources of heat, such as stoves and heaters. Plastic parts may melt.
- Recharge the battery after each use. Only an adult should handle the battery. Recharge the battery at least once a month when not being used.
- Do not wash the vehicle with a hose. Do not wash the vehicle with soap and water. Do not drive the vehicle in rainy or snowy weather as water will damage the motor, electric system and battery.
- Clean the vehicle with a soft, dry cloth. To restore shine to plastic parts, use a non-wax furniture polish. Do not use car wax. Do not use abrasive cleaners.
- Do not drive the vehicle in loose dirt, sand or fine gravel which could damage moving parts, motors or the electric system.
- For extended times when the car will not be used, the power switch needs to be in the off position and the electrical connections should be disconnected from the battery.

TROUBLE SHOOTING GUIDE:

Problem	Possible Cause	Possible Solutions
Car will not move	<ol style="list-style-type: none"> 1. Battery voltage is low. 2. Battery connector or wires are loose. 3. Battery is damaged or dead. 4. Electrical box or motor is damaged 	Charge the battery Re-connect the battery connector to the car Replace battery Replace motor
The battery will not charge.	<ol style="list-style-type: none"> 1. Battery connector may have come apart or have a bad connection. 2. Battery charger plugged into a bad wall outlet. 3. Battery charger is damaged. 	Re-connect the battery connector to the car electrical connector Try another wall outlet Replace battery charger
Shortened battery life	Battery was not charged fully Battery is old	Charge battery fully Change battery
Some Noise and heat when charging battery	Chemical reaction	Normal
Low Speed	Battery is old Battery is low on charge Weight limit exceeded Uneven or uphill path Vehicle is being used in harsh conditions	Change the battery Charge the battery Do not exceed max weight limit Use on flat surfaces Avoid using car in harsh conditions
Noise coming from motor/gearbox	Gear in motor/gearbox broken	Call for replacement motor
The car shakes when moving	Bad Connection of the motor wires Possible motor failure	Reconnect wires Call for replacement motor
Car needs a push to go forward	Poor contact of wires and/or connectors "Dead Spot" on motor	Check that the battery connectors are firmly plugged into each other. If wires are loose around the motor, contact the distributor's service department A dead spot means the electric power is not being delivered to the terminal connection. Call our service department

Self-Resetting Breaker – The vehicle is equipped with a self-resetting breaker. In the event the power is tripped the breaker will reset itself in approximately one minute.

If you are unable to solve a problem, please feel free to contact us.

Phone: 402-477-0541 or Email: customerservice@rollinghillstrading.com