



WideTrack

Kids Ride on Car

Assembly and Operation Instructions



Please read this instruction manual carefully. It is important to read and follow all the steps during assembly to ensure proper operation and safety of the child. Please keep this manual for future reference.




**Scan this QR Code
to view the
Assembly Video**

SPECIFICATIONS:

Battery Type:	2 - 12V7AH	Avg. Speed:	Approx. : 2 – 5 MPH
Age Range:	2 – 7 Years	Charging time:	8-12 hrs – Minimum 1 Charge per month
Max. Weight:	70 lbs	Avg. Use Time:	48-90 Minutes (depending on use)

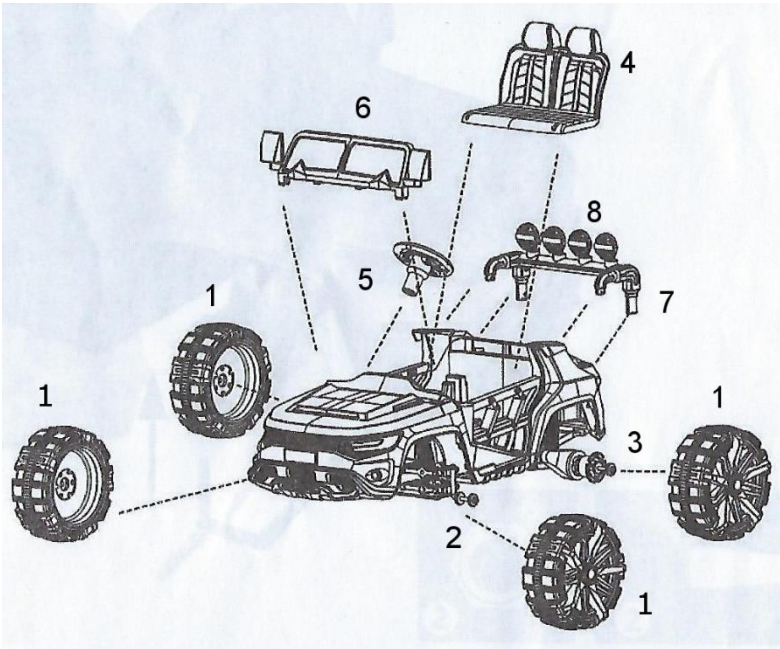
IMPORTANT!

<ul style="list-style-type: none"> Assembly of car and charging of battery is only to be done by an adult.  	<ul style="list-style-type: none"> WARNING!! NOT TO BE USED ON STREETS OR IN TRAFFIC.
<ul style="list-style-type: none"> Never modify or tamper with any part of the electric circuit system. This can cause permanent damage. 	<ul style="list-style-type: none"> Please check the vehicle regularly for any loose parts or wires to ensure safety and proper operation.
<ul style="list-style-type: none"> Adult supervision is recommended during operation to avoid injury. Safety equipment is recommended. 	<ul style="list-style-type: none"> Please make sure that the child uses caution to avoid falls and collisions, which could cause injury to the child or third party.
<ul style="list-style-type: none"> Do not pick up vehicle by steering wheel. 	<ul style="list-style-type: none"> Do not pick up battery by wires or charger.
<ul style="list-style-type: none"> Keep all plastic bags out of the reach of young children. 	<ul style="list-style-type: none"> Not recommended for children under the age of 2 yrs. due to small parts that could cause a choking hazard.
<ul style="list-style-type: none"> Battery must be charged for a minimum of 8-12 hours prior to first use of the car to avoid damage to the battery. Power switch must be in off position when charging. 	<ul style="list-style-type: none"> Battery charger should be examined for damage prior to each use. It is important to inspect the cord and both ends for damage. If damage is found, DO NOT USE THE CHARGER! Contact us for a replacement charger.
<ul style="list-style-type: none"> Please keep instruction manual for future reference. 	<ul style="list-style-type: none"> Please keep original packaging.

If the charger is plugged into the charging port the car will not power on, regardless if the charger is plugged into the wall outlet or not.

PARTS LIST

#	Name	#	Name
1	Tires	5	Steering Wheel
2	Front Axle	6	Windshield
3	Back Axle	7	Light Bar Brackets
4	Seat	8	Light Bar

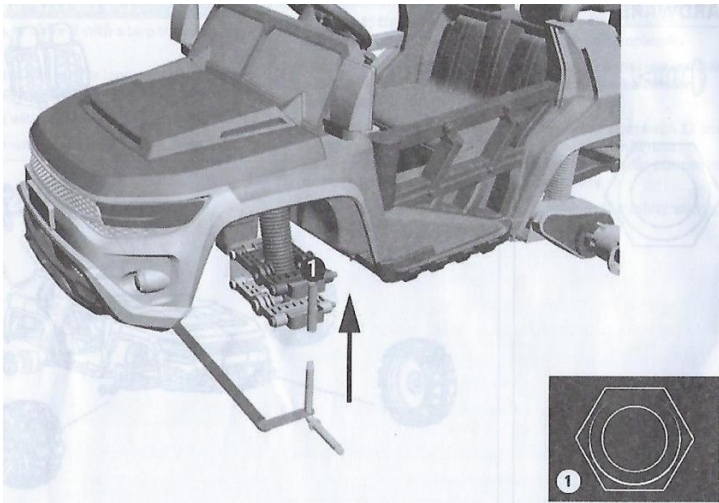


[All assembly videos can be found on YouTube under SPORTrax](#)

ASSEMBLY INSTRUCTIONS:

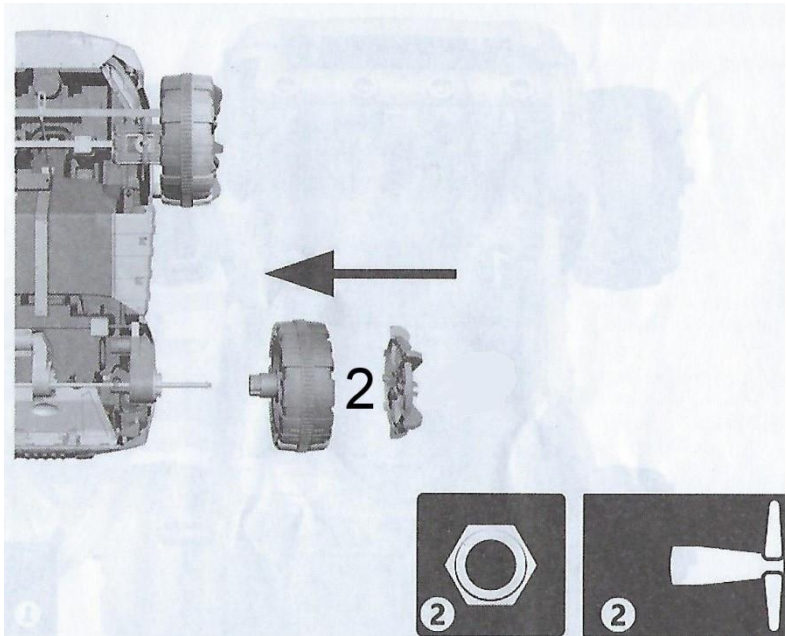
1: Front Axle & Tire Assembly:

Follow diagram 1 by sliding front steering rack/axle into place & securing it from the top using a washer & lock nut. Once the steering rack/axle is in place, install a washer onto left and right front axles. Then slide the wheel/tire onto the axle with the hub side of the wheel to the inside of the car. Then, install a washer and lock nut and tighten the nut with a 17mm socket until end of axle is flush with the outside of the nut. (Do not overtighten) Finally, snap the wheel cover into place by lining up the tabs on the wheel covers to the corresponding slots in the wheel.



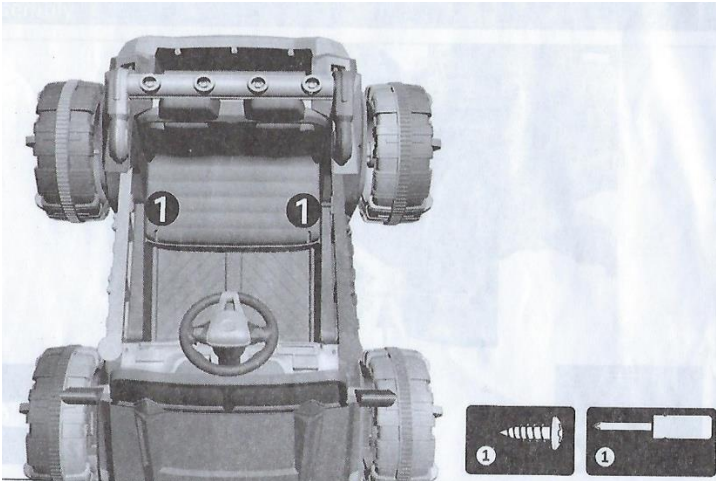
2: Back Axle & Tire Assembly:

Disconnect & remove the rear motors from the vehicle. Slide rear axle into place. Slide the rear motors onto axle with the motor and connected wires are toward the inside of the car. Need to slide the motor and wires through the round opening in the motor support bracket mounted on the axle. It is also important to ensure the placement of each motor to be on the correct, right/left side of the car. **NOTE: If the motors happen to get mounted on the incorrect side during the assembly process it will make the vehicle drive in the wrong direction.** Reattach motor connections in the battery area. Next you will need to slide the tire on the axle followed by a washer, and lock nut. Tighten lock nuts with a 17mm socket until the end of the axle is even with the outside of the lock nut. (Do not over tighten) Snap wheel cover into place by lining up the tabs on the wheel cover with the corresponding slots in the wheels.



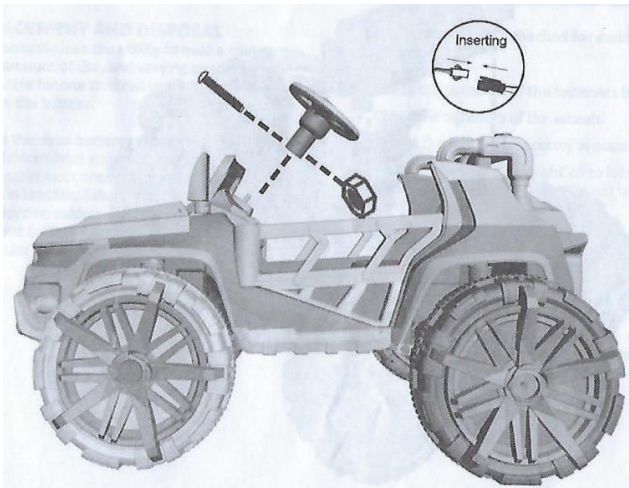
3: Installation of Seat:

Install seat in seat location. Secure with 2 screws (provided) to secure the seat in place.



4: Installation of Steering Wheel:

Remove the nut & bolt from the steering wheel column. Connect steering wheel wires according to diagram. Slide the steering wheel onto the steering shaft & secure by reinserting the bolt through the hole in the steering wheel column and making sure that the bolt goes through the hole in the steering shaft. It is important to make sure that the wheels are straight and the steering wheel is straight for the bolt to go through both items. Then install the nut to secure the bolt from coming out when the child is driving.



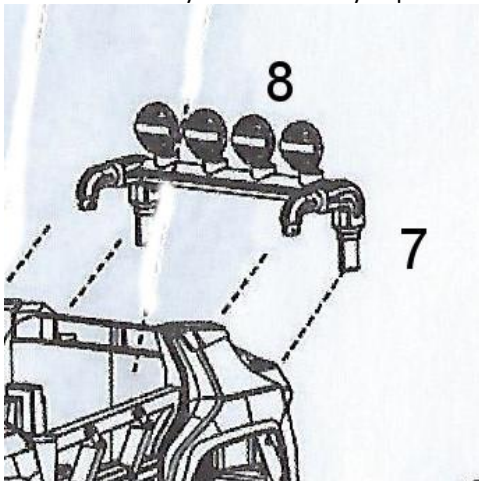
5. Installation of Windshield:

Align the windshield with the vehicle & push into place.



6. Installation of Rear Light Bar Assembly:

Attach the 2 light bar corners to the light bar. Locate the light bar corner with the power wire & hook it to the corresponding power connector coming out of the car body. Press the light bar assembly down into the vehicles body until it is firmly in place.

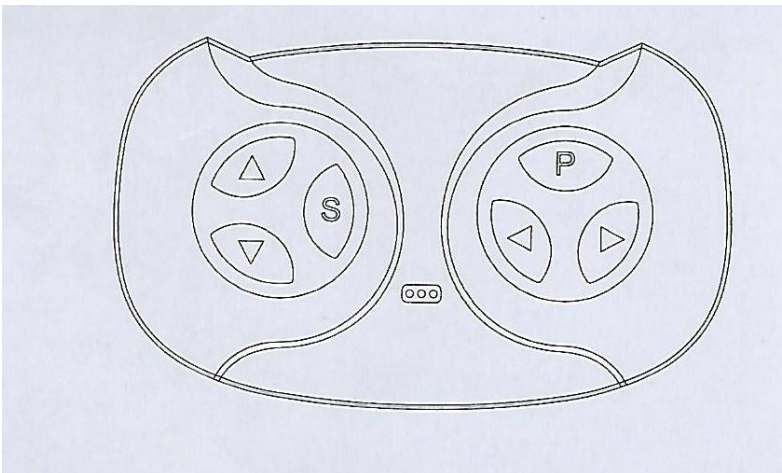


SYNCING THE REMOTE CONTROL:

Remote Control Instructions: For the first time use of remote control or after replacing the battery, you need to sync the remote to the car.

- a) Install the remote-control batteries (AAA not included).
- b) Hold down forward and reverse buttons 2-4 seconds. The Low speed LED light should be flashing.
- c) Turn on the car by pressing the Power button. The Low speed LED light should still be flashing and then turn to a steady light if synced correctly.
- d) If the syncing failed (Low speed LED light still flashing), remove the batteries and repeat steps a – c.
- e) Remote Control indicator light will go off and into power saving mode if not used for more than 10 seconds.
- f) Button Descriptions:

▲ Forward ▼ Backward ► Turn Right ◄ Turn Left
S = Speed - Push button P = Emergency brake, press it once to stop the motion of the car. Pressing it again will release the emergency brake, restoring the functions of the car.
There are 3 speed selections to choose.
1 LED Light on = Low Speed
2 LED Lights on = Medium Speed
3 LED Lights on = High Speed



CHARGING THE BATTERY:

The charging port is located under the hood of the vehicle. Slide the hood forward to expose charging port. Plug the charger into the charging port first, and then plug the charger into a wall outlet.

Please Note: As a safety precaution and to avoid damage to the charger, the car will not power up while charger port is plugged into the car.

THE BATTERY MUST BE CHARGED FOR A MINIMUM OF 8-12 HOURS BEFORE INITIAL USE AND DURING EVERY CHARGING OCCURRENCE TO AVOID DAMAGE TO THE BATTERY. ONLY AN ADULT SHOULD CHARGE AND RECHARGE THE BATTERY.

BATTERY REPLACEMENT AND DISPOSAL:

Over time, all batteries naturally lose their ability to hold a charge. Depending on the amount of use and driving conditions, the battery should function for one to three years. To replace and/or dispose of the battery, follow these steps:

- Carefully disconnect the battery connectors.
- Remove the metal battery bracket.
- Carefully lift the battery out of the vehicle. **NOTE:** you may want to wear protective gloves before removal. **DO NOT** lift the battery by its connectors or cables.
- Place the used in a plastic bag.
- Reconnect the red wire to the red terminal and the black wire to the black terminal on the new battery.
- Replace the metal battery bracket.
- Close the hood and turn the locking button on the hood to the lock position.

WARNING:

- Use only the rechargeable battery and charger supplied with your vehicle. **NEVER** substitute the battery or charger with another brand. Using another battery or charger may cause damage.
- **NEVER** modify the electric circuit system. Tampering with the electric system may cause permanent damage to the system.
- **Do not** allow direct contact between battery terminals.
- **Do not** allow any type of liquid on the battery or its components.
- Charge the battery in a well-ventilated area **ONLY**. Do not charge near or around flammable materials.
- **NEVER** pick up the battery by the wires or charger. Damage can occur to the battery and may cause a fire. Pick up the battery by the case **ONLY**.
- Charge the battery in a dry area **ONLY**.

Wash hands after handling.

- **Do not** open the battery. Battery contains lead acid and other materials that are toxic and corrosive.
- **Do not** open the charger. Exposed wiring and circuitry inside case could cause electric shock. **NEVER** allow a child to handle or charge the battery. Battery is heavy and contains lead acid (electrolyte).
- **Do not** drop the battery. Permanent damage to the battery could occur or cause serious injury.
- Before charging the battery, check for wear or damage to the battery, charger, its supply cord and the connectors. **DO NOT** charge the battery if any damage to parts has occurred.
- **Do not** allow the battery to drain completely. Recharge the battery after each use or once per month if not used regularly.
- **Do not** charge the battery upside down.
- **Always** secure the battery with the bracket. Battery can fall out and injure a child if vehicle tips over.
- The **Power Switch** must be turned in the **OFF** position when charging.
- When the car begins to run slowly, recharge the battery.

GENERAL MAINTENANCE:

It is the parent's responsibility to check main parts of the toy before using. Regularly examine the car for potential hazard, such as damage to the battery, charger, cable or cord, and plug,. Also check that all screws are tightened throughout the car. In the event of such damage, the toy must not be used until that damage is repaired or replaced.

- Make sure the plastic parts of the vehicle are not cracked or broken.
- Occasionally use a lightweight oil to lubricate moving parts such as wheels.
- Park the vehicle indoors or cover it with a tarp to protect it from wet weather.
- Keep the vehicle away from sources of heat, such as stoves and heaters. Plastic parts may melt.
- Recharge the battery after each use. Only an adult should handle the battery. Recharge the battery at least once a month when not being used.
- Do not wash the vehicle with a hose. Do not wash the vehicle with soap and water. Do not drive the vehicle in rainy or snowy weather as water will damage the motor, electric system and battery.
- Clean the vehicle with a soft, dry cloth. To restore shine to plastic parts, use a non-wax furniture polish. Do not use car wax. Do not use abrasive cleaners.
- Do not drive the vehicle in loose dirt, sand or fine gravel which could damage moving parts, motors or the electric system.
- For extended times when the car will not be used, the power switch needs to be in the off position and the electrical connections should be disconnected from the battery.

TROUBLE SHOOTING GUIDE:

Problem	Possible Cause	Possible Solutions
Car will not move	<ol style="list-style-type: none"> 1. Battery voltage is low. 2. Battery connector or wires are loose. 3. Battery is damaged or dead. 4. Electrical box or motor is damaged 	Charge the battery Re-connect the battery connector to the car Replace battery Replace motor
The battery will not charge.	<ol style="list-style-type: none"> 1. Battery connector may have come apart or have a bad connection. 2. Battery charger plugged into a bad wall outlet. 3. Battery charger is damaged. 	Re-connect the battery connector to the car electrical connector Try another wall outlet Replace battery charger
Shortened battery life	Battery was not charged fully Battery is old	Charge battery fully Change battery
Some Noise and heat when charging battery	Chemical reaction	Normal
Low Speed	Battery is old Battery is low on charge Weight limit exceeded Uneven or uphill path Vehicle is being used in harsh conditions	Change the battery Charge the battery Do not exceed max weight limit Use on flat surfaces Avoid using car in harsh conditions
Noise coming from motor/gearbox	Gear in motor/gearbox broken	Call for replacement motor
The car shakes when moving	Bad Connection of the motor wires Possible motor failure	Reconnect wires Call for replacement motor
Car needs a push to go forward	Poor contact of wires and/or connectors "Dead Spot" on motor	Check that the battery connectors are firmly plugged into each other. If wires are loose around the motor, contact the distributor's service department A dead spot means the electric power is not being delivered to the terminal connection. Call our service department

Self-Resetting Breaker – The vehicle is equipped with a self-resetting breaker. In the event the power is tripped the breaker will reset itself in approximately one minute.

If you are unable to solve a problem, please feel free to contact us.

Phone: 402-477-0541 or Email: customerservice@rollinghillstrading.com